

# **POWER SUPPLY UNIT (A494)**

## **PARTS CATALOG**

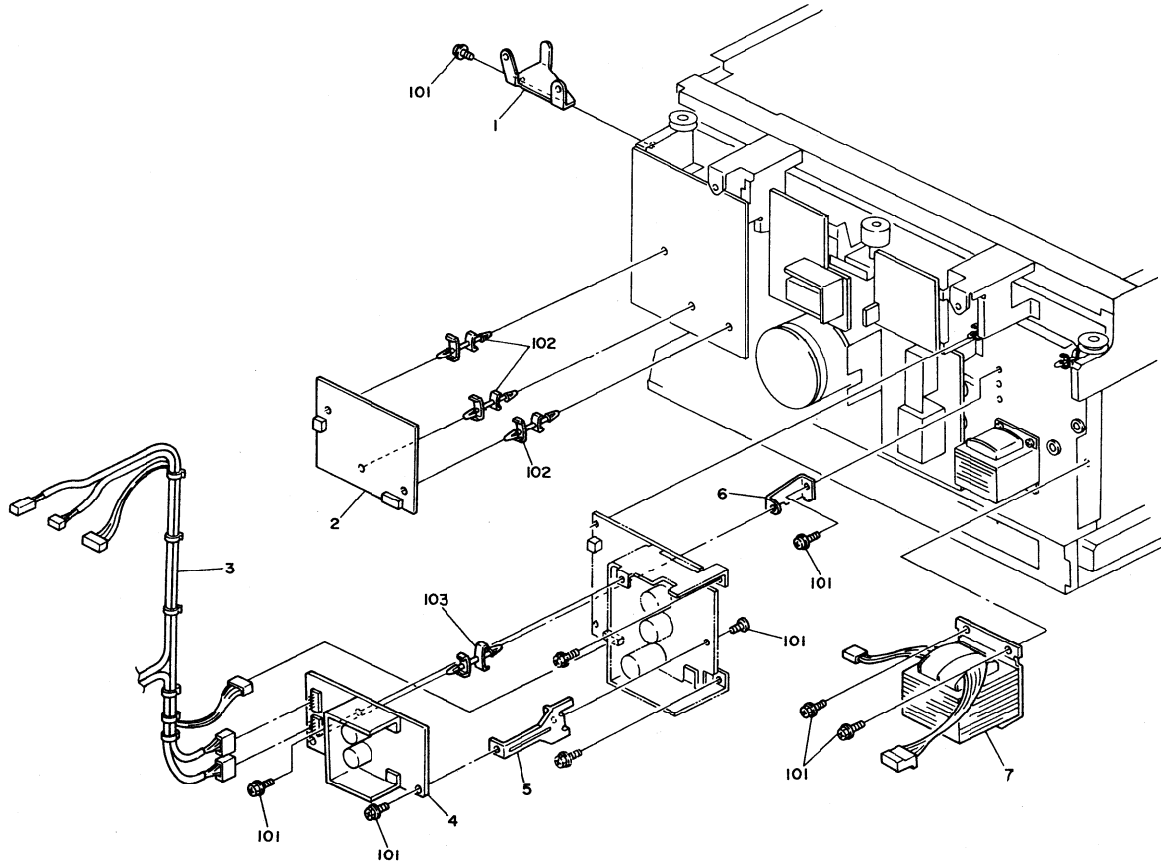
### **INTRODUCTION**

This chapter instructs you the numbers and names of these parts on this machine.

### **INDEX to PARTS CATALOG**

1. POWER SUPPLY UNIT (A494) .....	2
2. INTERFACE BOARD (A494) .....	4
3. DC DRIVE BOARD (A494) .....	6
4. POWER SUPPLY UNIT HARNESS (A494) .....	8
<b>Parts Index</b> .....	<b>10</b>

# 1. POWER SUPPLY UNIT (A494)



### 1. POWER SUPPLY UNIT (A494)

Index No.	Part No.	Description	Q'ty per Assembly
1	A494 5803	Bracket - DF Power Supply Cord	1
2	A494 5101	Interface Board	1
3	A494 5301	Power Supply Unit Harness - 115V	1
3	A494 5310	Power Supply Unit Harness - 220/240V	1
4	A494 5415	DC Drive Board - 115V	1
4	A494 5416	DC Drive Board - 220/240V MB2 (ADDED)	1
5	A494 5801	Small P.S.U. Bracket	1
6	A494 5802	Large P.S.U. Bracket	1
7	AZ12 0014	Transformer - 115V	1
7	AZ12 0015	Transformer - 220/240V	1

Index No.	Part No.	Description	Q'ty per Assembly
101	0443 0060W	Hexagon Head Tapping Screw - M3x6	
102	1106 0389	Locking Support	
103	1105 0159	PCB Stud MB1 (ADDED)	

## 2. INTERFACE BOARD (A494)

### CAPACITOR

SYMBOL NO.	INDEX NO.
C201	118
C202	117
C203	120
C204	119
C205	119
C206	120
C208	120
C209	120
C211	121
C212	120

### CONNECTOR

SYMBOL NO.	INDEX NO.
C213	120
C214	120

SYMBOL NO.	INDEX NO.
CN201	102
CN202	101
CN203	105
CN205	104
CN206	103

### IC

SYMBOL NO.	INDEX NO.
IC201	116
IC202	114
IC203	111
IC204	110
IC206	115
IC207	112
IC208	113
IC209	109
IC221	131
IC222	131

SYMBOL NO.	INDEX NO.
IC223	131

### CONNECTOR

SYMBOL NO.	INDEX NO.
JPSW201-1	107
JPSW201-2	106

### PHOTOCOUPLER

SYMBOL NO.	INDEX NO.
PC201	108
PC202	108
PC203	108

### RESISTOR

SYMBOL NO.	INDEX NO.
R201	129
R202	129
R203	129
R204	130
R205	130
R206	130
R207	130
R208	130
R209	130
R210	130

SYMBOL NO.	INDEX NO.
R211	130
R221	126
R222	127
R223	127
R224	124
R225	122
R226	126
R227	126
R228	123
R229	123

SYMBOL NO.	INDEX NO.
R232	126
R233	128
R234	126
R236	125
R253	126

## 2. INTERFACE BOARD (A494)

Index No.	Part No.	Description	Q'ty per Assembly
"	A494 5101	Interface Board	1

Index No.	Part No.	Description	Q'ty per Assembly
101	1102 2307	Connector - 20P	
102	1102 5001	Connector - 30P	
103	1102 5003	Connector - 2P	
104	1103 1812	Pin Header - 4P	
105	1103 1815	Pin Header - 7P	
106	1103 1879	Connector - 3P	
107	1103 3029	Connector - 2P	
108	1403 0556	Photocoupler - TLP634	
109	1407 2055	IC - TD62304F	
110	1407 2187	IC - SN74LS07NS	
111	1407 2341	IC - MPD71051G	
112	1407 2344	Transistor Array - TD62382F	
113	1407 2746	IC - CXD1095Q	
114	1407 3532	IC - TC74HC4024AF	
115	1408 0456	IC - AN6914S	
116	1503 0339	Oscillator - 4.9152MHz	
117	1604 1363	Capacitor - 10uF +-20% 25V	
118	1604 1382	Capacitor - 10uF 50V	
119	1606 1451	Capacitor - 0.1uF 50V	
120	1606 1454	Capacitor - 0.01uF 25V	
121	1606 1455	Capacitor - 470pF 25V	
122	1610 0037	Resistor - 120 Ohm 1/8W +-5%	
123	1610 0041	Resistor - 180 Ohm 1/8W +-5%	
124	1610 0053	Resistor - 1K Ohm 1/8W +-5%	
125	1610 0062	Resistor - 2.4 Ohm +-5% 1/8W	
126	1610 0065	Resistor - 3.3K Ohm 1/8W +-5%	
127	1610 0071	Resistor - 10K Ohm +-5% 1/8W	
128	1610 0073	Resistor - 12K Ohm 1/8W +-5%	
129	1611 4104	Resistor - 100K Ohm 1/4W +-5%	
130	1611 4151	Resistor - 150 Ohm 1/4T +-5%	
131	1607 0352	Inductor	

### 3. DC DRIVE BOARD (A494)

#### CAPACITOR

SYMBOL NO.	INDEX NO.
C100	113
C101	111
C102	112
C103	116
C104	114
C105	111
C106	112
C107	116
C108	115
C109	115

#### CONNECTOR

SYMBOL NO.	INDEX NO.
CN100	101
CN101	101
CN102	101

#### DIODE

SYMBOL NO.	INDEX NO.
D100	106
D101	106
D102	106
D103	106

#### FUSE

SYMBOL NO.	INDEX NO.
FU100	103
(FU100)	102
FU101	104
(FU101)	102

#### IC

SYMBOL NO.	INDEX NO.
IC100	109
IC101	110

#### RESISTOR

SYMBOL NO.	INDEX NO.
R100	118
R101	119
R102	117
R103	118

#### RECTIFIER

SYMBOL NO.	INDEX NO.
ST100	107
ST101	108

#### ZENER DIODE

SYMBOL NO.	INDEX NO.
ZD100	105

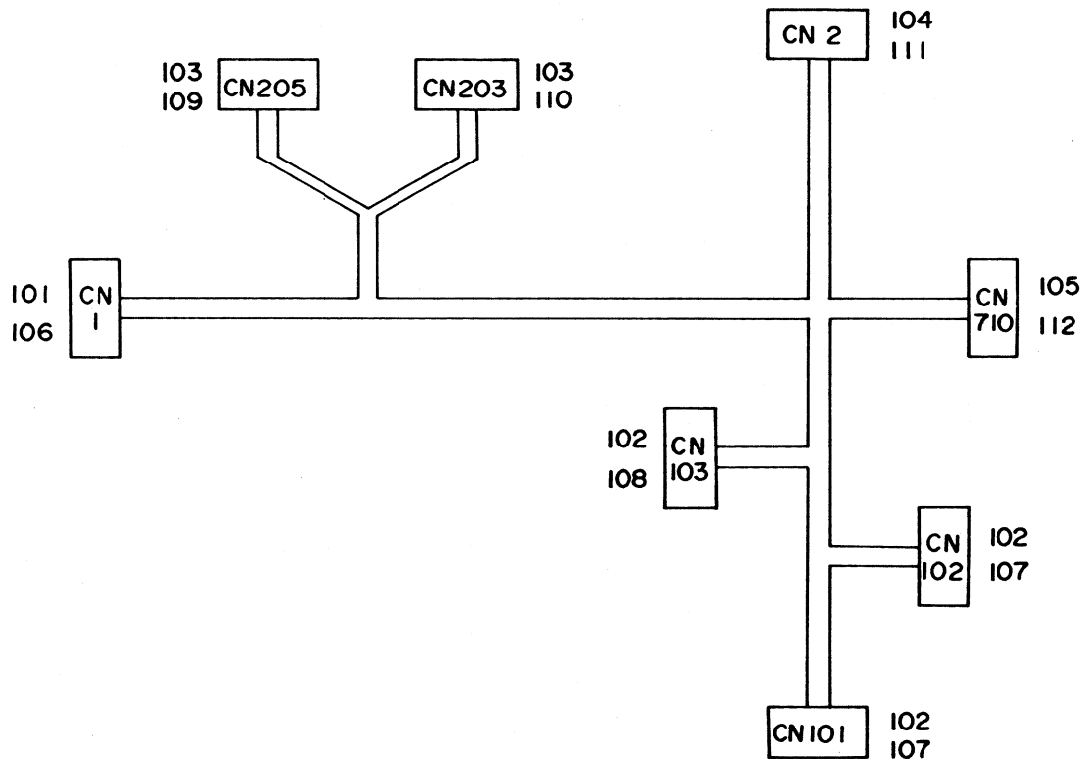
### 3. DC DRIVE BOARD (A494)

Index No.	Part No.	Description	Q'ty per Assembly
*	A494 5415	DC Drive Board - 115V	1
*	A494 5416	DC Drive Board - 220/240V	1

Index No.	Part No.	Description	Q'ty per Assembly
101	1103 0441	Pin Terminal - 4P	
102	1104 0351	Fuse Holder	
103	1107 0354	Fuse - 3.15A/125V	
103	1107 0457	Fuse - 3.15A/250V MB2 (ADDED)	
104	1107 0391	Fuse - 5A, 125V	
104	11070459	Fuse - 5A, 250V	
105	1402 0277	Zener Diode - 1Z12 (115V)	
105	1402 0951	Zener Diode - 1Z12 (220/240V)	
106	1402 0388	Diode - W03C	
107	1402 0601	Rectifier - RBV-401	
108	1405 0176	Rectifier - RBV-601	
109	1408 0569	IC - NJM78M05F-A	
110	1408 0753	IC - NJM78M24FA	
111	1604 1378	Capacitor - 1MF 50V	
112	1604 1382	Capacitor - 10uF 50V	
113	1604 2238	Capacitor - 4700uF 25V	
114	1604 2239	Capacitor - 4700uF 35V (115V)	
114	1604 2289	Capacitor - 4700uF +-20% 50V (220/240V) MB2 (ADDED)	
115	1606 0996	Capacitor - 470pF 50V	
116	1606 1396	Capacitor - 0.1uF 25V	
117	1611 4220	Resistor - 22 Ohm 1/4T +-5%	
118	1611 4689	Resistor - 6.8 Ohm 1/4T +-5%	
119	1611 6102	Resistor - 1K Ohm 1/2T +-5%	



#### 4. POWER SUPPLY UNIT HARNESS (A494)



#### 4. POWER SUPPLY UNIT HARNESS (A494)

Index No.	Part No.	Description	Q'ty per Assembly
*	A494 5301	Power Supply Unit Harness - 115V	1
*	A494 5310	Power Supply Unit Harness - 220/240V	1

Index No.	Part No.	Description	Q'ty per Assembly
101	1100 1239	Pin - Mate-N-Lock	
102	1100 1247	Terminal	
103	1100 1329	Socket Contact	
104	1100 1330	Socket Contact	
105	1100 1375	Pin - Mate-N-Lock	
106	1102 1509	Connector - 4P	
107	1102 1831	Connector - 4P	
108	1102 1878	Connector - 3P	
109	1102 1984	Socket Housing - 4P	
110	1102 1990	Socket Housing - 10P	
111	1102 2029	Pin Housing - 10P	
112	1102 4801	Connector - 8P	

# **PARTS INDEX**

Part No.	Description	Paper and Index No.
A494 5101	Interface Board	3- 2
A494 5101	Interface Board	5- *
1604 1382	Capacitor - 10uF 50V	5-118
A494 5301	Power Supply Unit Harness - 115V	3- 3
A494 5301	Power Supply Unit Harness - 115V	9- *
A494 5310	Power Supply Unit Harness - 220/240V	3- 3
A494 5310	Power Supply Unit Harness - 220/240V	9- *
A494 5415	DC Drive Board - 115V	3- 4
A494 5415	DC Drive Board - 115V	7- *
A494 5416	DC Drive Board - 220/240V MB2 (ADDED)	3- 4
A494 5416	DC Drive Board - 220/240V MB2 (ADDED)	7- *
A494 5801	Small P.S.U. Bracket	3- 5
A494 5802	Large P.S.U. Bracket	3- 6
A494 5803	Bracket - DF Power Supply Cord	3- 1

Part No.	Description	Paper and Index No.
AZ12 0014	Transformer -115V	3- 7
AZ12 0015	Transformer -220/240V	3- 7

Part No.	Description	Paper and Index No.
04430060W	Hexagon Head Tapping Screw - M3x6	3-101
1100 1239	Pin - Mate-N-Lock	9-101
1100 1247	Terminal	9-102
1100 1329	Socket Contact	9-103
1100 1330	Socket Contact	9-104
1100 1375	Pin - Mate-N-Lock	9-105
1102 1509	Connector - 4P	9-106
1102 1831	Connector - 4P	9-107
1102 1878	Connector - 3P	9-108
1102 1984	Socket Housing - 4P	9-109
1102 1990	Socket Housing -10P	9-110
1102 2029	Pin Housing - 10P	9-111
1102 2307	Connector - 20P	5-101
1102 4801	Connector - 8P	9-112
1102 5001	Connector - 30P	5-102
1102 5003	Connector - 2P	5-103
1103 0441	Pin Terminal - 4P	7-101
1103 1812	Pin Header - 4P	5-104
1103 1815	Pin Header - 7P	5-105
1103 1879	Connector -3P	5-106
1103 3029	Connector -2P	5-107
1104 0351	Fuse Holder	7-102
1105 0159	PCB Stud (ADDED)	1- *
1106 0389	Locking Support	3-102
1107 0354	Fuse - 3.15A/125V	7-103
1107 0391	Fuse - 5A, 125V	7-104
1107 0457	Fuse - 3.15A 250V MB2 (ADDED)	7-103
1107 0459	Fuse - 5A, 250V MB2 (ADDED)	7-104
1402 0277	Zener Diode - 1Z12 (115V)	7-105
1402 0388	Diode -W03C	7-106
1402 0601	Rectifier - RBV-401	7-107
1402 0951	Zener Diode - 1Z12 (220/240V)	7-105
1403 0556	Photocoupler - TLP634	5-108
1405 0176	Rectifier - RBV-601	7-108
1407 2055	IC - TD62304F	5-109

Part No.	Description	Paper and Index No.
1407 2187	IC -SN74LS07NS	5-110
1407 2341	IC - MPD71051G	5-111
1407 2344	Transistor - TD62382F	5-112
1407 2746	IC - CXD1095Q	5-113
1407 3532	IC - TC74HC4024AF	5-114
1408 0456	IC - AN6914S	5-115
1408 0569	NJM78M05F-A	7-109
1408 0753	IC - NJM78M24FA	7-110
1503 0339	Oscillator - 4.9152MHz	5-116
1604 1363	Capacitor - 10uF 25V	5-117
1604 1378	Capacitor - 1MF 50V	7-111
1604 1382	Capacitor - 10uF 50V	5-118
1604 1382	Capacitor - 10uF 50V	7-112
1604 2238	Capacitor - 4700uF 25V	7-113
1604 2239	Capacitor - 4700uF 35V (115V)	7-114
1604 2289	Capacitor - 4700uF +-20% 50V (220/240V) MB2 (ADDED)	7-114
1606 0996	Capacitor -470pF 50V	7-115
1606 1396	Capacitor - 0.1uF 25V	7-116
1606 1451	Capacitor - 0.1uF 50V	5-119
1606 1454	Capacitor - 0.01uF 25V	5-120
1606 1455	Capacitor -470pF 25V	5-121
1607 0352	Inductor	5-131
1610 0037	Resistor - 120 Ohm 1/8W +-5%	5-122
1610 0041	Resistor - 180 Ohm 1/8W +-5%	5-123
1610 0053	Resistor - 1K Ohm 1/8W +-5%	5-124
1610 0062	Resistor - 2.4 Ohm +-5% 1/8W	5-125
1610 0065	Resistor - 3.3K Ohm 1/8W +-5%	5-126
1610 0071	Resistor - 10K Ohm +-5%	5-127
1610 0073	Resistor - 12K Ohm 1/8W +-5%	5-128
1611 4104	Resistor - 100K Ohm 1/4V +-5%	5-129
1611 4151	Resistor - 150 Ohm 1/4T +-5%	5-130
1611 4680	Resistor - 68 Ohm 1/4T +-5%	7-117
16114689	Resistor - 6.8 Ohm 1/4T +-5%	7-118
16116102	Resistor - 1K Ohm 1/2T +5%	7-119